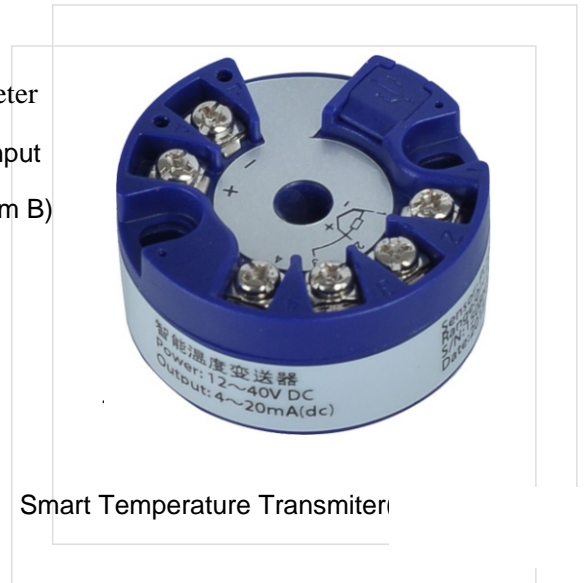


Head Mounted Smart Temperature transmitter

Head mounted temperature transmitter is used for resistance thermometer (RTD), Thermocouple (TC), Resistance transmitter, voltage (mV) signal input, two wire 4 to 20 mA analogue output, mounted inside transmitter (form B)

Function

- Transfer various kinds of input signal into 4-20ma output
- Input: RTD, TC, resistance, voltage (mV)
- Configuration by PDA communicator or PC
- 2 kinds of resistance thermometer input (RTD)
- 8 kinds of thermocouple (TC)
- Built-in cold junction compensation



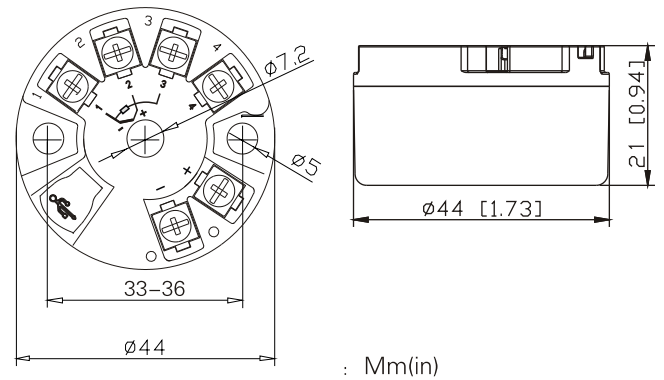
Smart Temperature Transmitter

Input

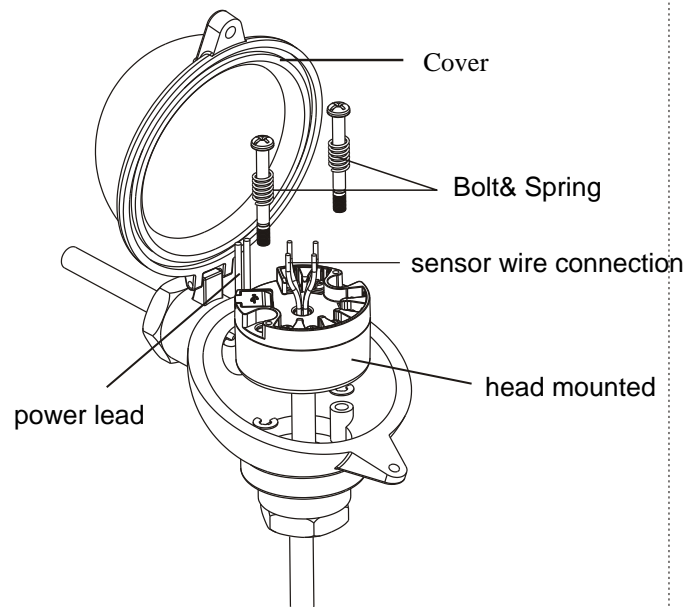
Model	Type	Measuring range	Min range
RTD	Pt100	-200 to 850 °C	10K
	Cu50	-50 to 150 °C	10K
Resistance (Ω)	电阻传感器	0 to 500 Ω	10 Ω
TC	B	400 to 1820 °C	500K
	E	-100 to 1000 °C	50K
	J	-100 to 1200 °C	50K
	K	-180 to 1372 °C	50K
	N	-180 to 1300 °C	50K
	R	-50 to 1760 °C	500K
	S	-50 to 1760 °C	500K
	T	-200 to 400 °C	50K

Basic Structure

Dimension



Installation



Configuration



Technical Parameter

- Output Signal :4-20mA
- Max Load :max.(V power supply -7.5V) /0.22A(current output)
- Measurement : tempt-linearity,resistance-linearity,voltage-linearity
- Circuit limit :<=22mA
- Response time:<=1s
- Saturation current : Low side 3.9mA, high side 20.5mA
- Alarm current : sensor danger or sensor turnoff output is 3.9mA or 22mA(except TC)
- Accuracy:0.1%FS
- Measuring accuracy is related to measuring range
- Power supply:U=12V to 40V
- Working temperature : - 40 to +85°C
- Storage temperature : - 40to 100 °C
- Condensation : Allowable
- Protection: IP00;IP66(mounted)
- Earthquake resistance :4g/2 to 150Hz
- Voltage effection: can ignore
- Mounted angle: no limit
- Mount area : top of B type box

Wire Connection

